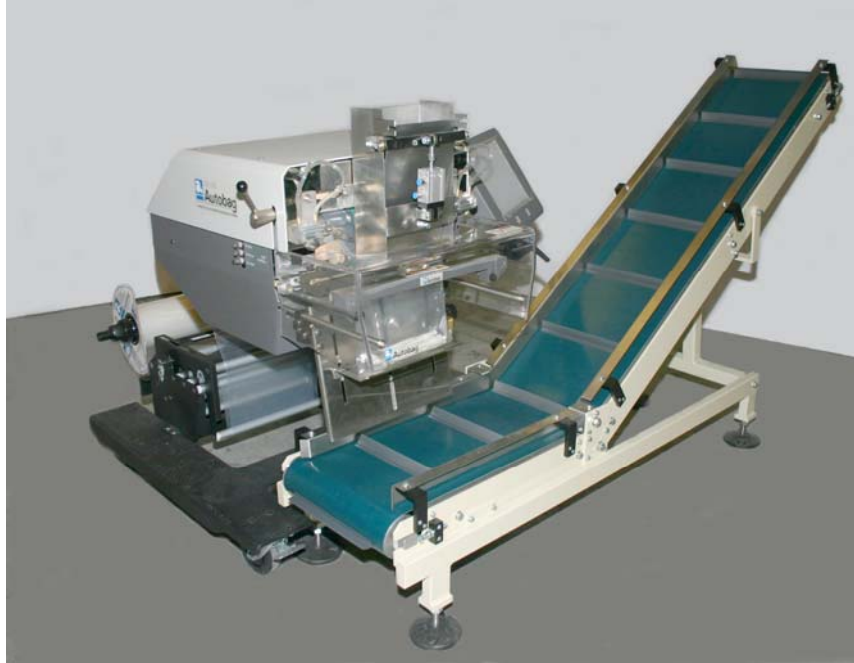


COMCOUNT

IC Range of Inclined Take Away Conveyors for Bagmakers



The Comcount IC Range of inclined conveyors are specifically designed to collect filled bags from underneath an automatic bagmaker and convey them to a bulk container.

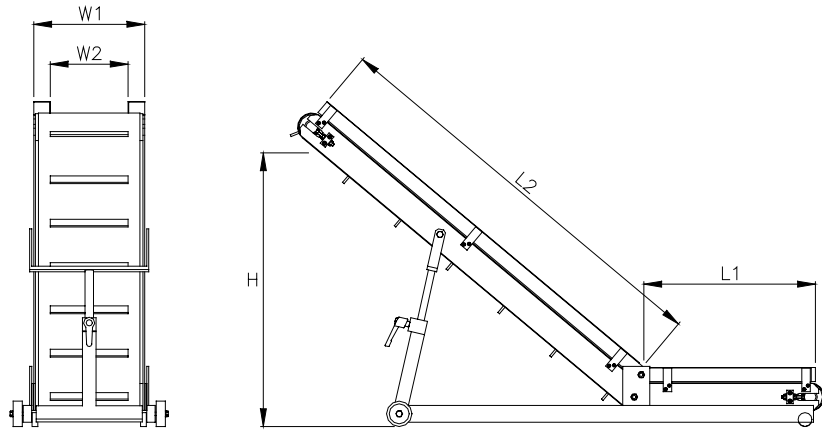
The standard units incorporate a horizontal section to collect the bags and an inclined output section, which can be adjusted in height to suit the bulk container employed.

The Conveyors are available in a range of different sizes to suit each specific application.



A special version of the inclined take away conveyor is also available to automatically pack a preset quantity of filled bags into outer bulk cartons.

The inclined conveyor fills the carton by means of a distribution conveyor. When the required number of bags is reached in the first carton the conveyor reverses to automatically commence feeding into the second bulk carton allowing time for the first carton to be removed and replaced.



Model	L1	L 2	H min	H max	W1	W2
IC 300 S	510	630	340	460	300	230
IC 300 L	510	1220	650	900	300	230
IC 400 S	510	630	340	460	400	330
IC 400 L	510	1220	650	900	400	330
IC 500 L	510	1220	650	900	500	430

Note: W2 is the effective feed width of the unit

Standard Features

Inclined conveyor units available in a range of different sizes and configurations to suit a wide range of standard applications.

Horizontal section to efficiently collect filled bags from underneath bagmaker Inclined output section with simple adjustment of height to suit output required.

Heavy duty flighted conveyor belt driven by powered roller motor giving compact conveyor dimensions

Optional Extras

Special version available to feed and count filled bags in set quantities into alternate outer cartons. Fully automatic presentation of cartons also available including erecting, closing and labelling.

Special Inclined Conveyor with count system to collect filled bags of components from first bagmaker before feeding and counting them in preset quantities into a second bulk bagmaker to automatically produce outer bags.

COMCOUNT

Unit 16, Shipston Close, Cranham Estate
 Worcester, WR4 9XN, England
 Tel: +44 (0)1905 454710
 Fax: +44 (0)1905 455849
 e-mail: sales@comcount.co.uk
www.comcount.co.uk